

JVC

SERVICE MANUAL

HANDS FREE KIT FOR MOBILE PHONES

TF-HF30(J)/TF-HF30-NK(J)

The "Product Exchange System" is applicable to this product.
For limited spare parts, refer to the parts list.



TF-HF30(J)



TF-HF30-NK(J)

Specifications

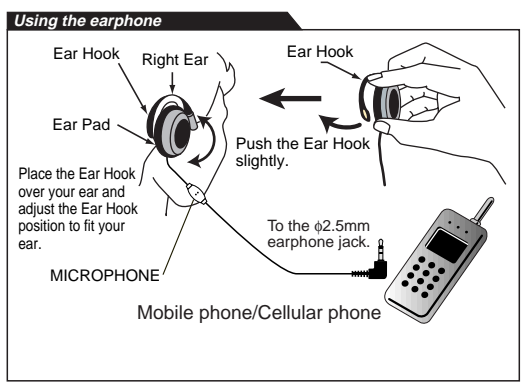
Earphone section		Microphone section	
Type	Moving coil	Type	Electrical condenser
Nominal impedance	32 ohms	Directivity	Non-directional
Sensitivity	95 dB/1 mW	Sensitivity	-60 dB(0dB=1V/0.5Pa)
Max.input capability	30 mW	Accessory	Plug adaptor for Nokia (for NK model only)
Cord length	1.2 m (3.94 ft) with 2.5mm triple-pole plug		
Mass	18g (0.63 oz) without cord 29g (1.02 oz) with cord		

Design and specifications subject to change without notice.

Using the earphone

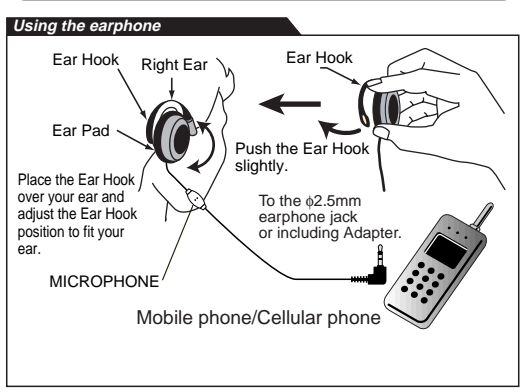
TF-HF30(J)

Hands Free Kits for Mobile Phones
 For Mobile Phone / Cellular Phone with a ϕ 2.5mm triple-pole plug.

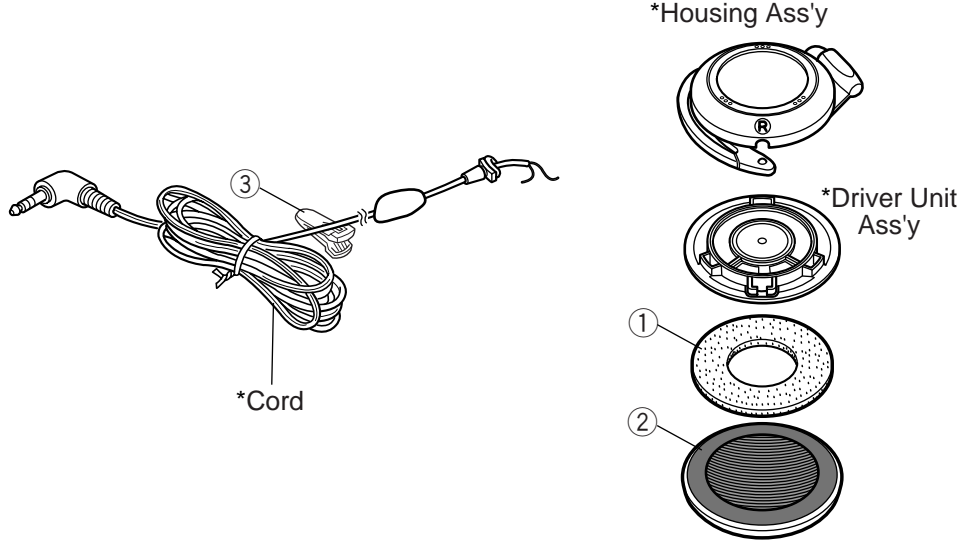


TF-HF30-NK(J)

Hands Free Kits for Mobile Phones
 For Mobile Phone / Cellular Phone with a ϕ 2.5mm triple-pole plug.
including NOKIA 71xx/61xx/51xx Adapter



Disassembly



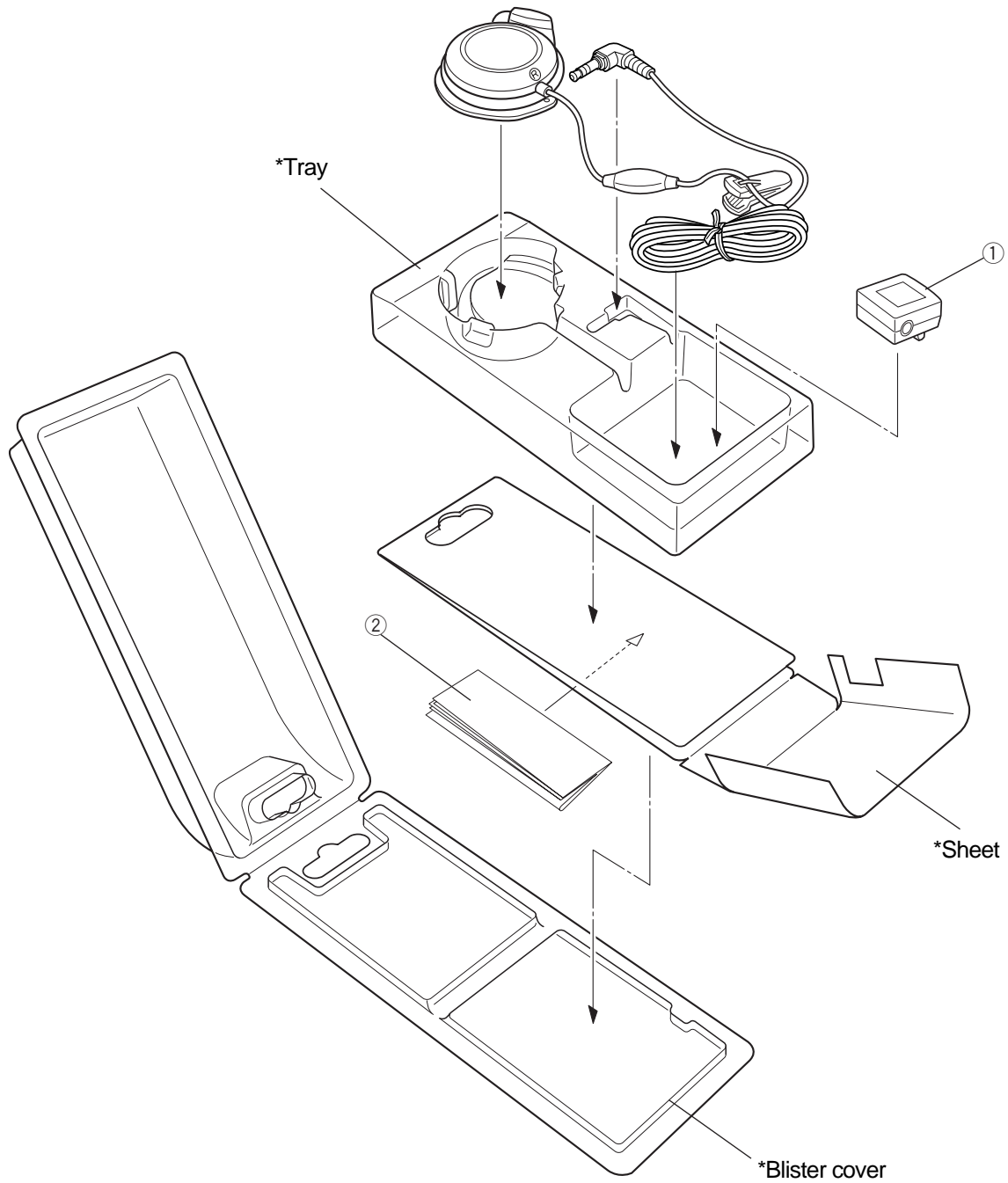
Note : These parts which was marked (*) will not be able to supply as our service parts.

■ Parts List

Δ	Item No.	Parts No.	Parts Name	Q'ty	Description
	1	J46773-001	Pad Urethan	1	
	2	J46772-001	Ear Pad	1	
	3	J46987-001	Clip	1	

*Parts marked (Δ) are safety parts. When replacing, be sure to use the specified one.

Packing Method



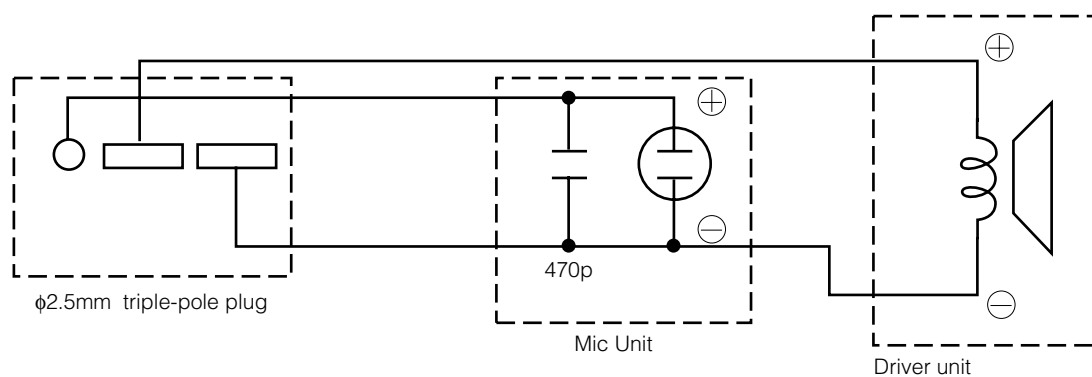
Note : These parts which was marked (*) will not be able to supply as our service parts.

■ Parts List

△	Item No.	Parts No.	Parts Name	Q'ty	Description
	1	J46980-002	Adaptor	1	for NK model only
	2	BT-51007-5	Warranty information card	1	

*Parts marked (△) are safety parts. When replacing, be sure to use the specified one.

Wiring Diagram



JVC

VICTOR COMPANY OF JAPAN, LIMITED

AV ACCESSORY DIVISION, YAMATO PLANT, 1644, SHIMOTSURUMA, YAMATO-SHI KANAGAWA-KEN, 242-8514, JAPAN